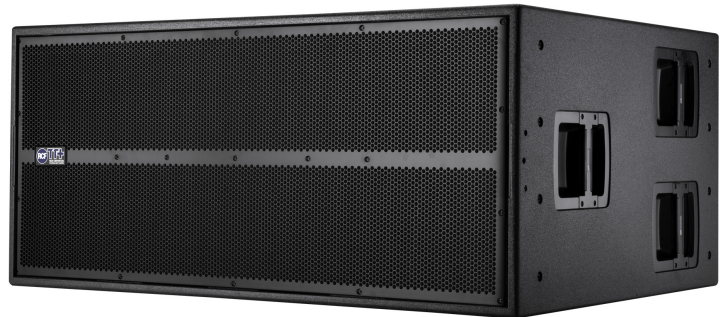


TTS 36-A

ACTIVE HIGH POWER SUBWOOFER

DESCRIPTION

The TTS36-A is a high power, high output active subwoofer system that sets a new standard in the touring sound reinforcement. The new 18" neodymium design represents the result of many years dedicated in pioneering new solutions for the transducers technology. The integration of the 4000 Watt, 2 channels digital amplification and the advanced digital processing set a new standard for distortion, noise and thermal efficiency.



FEATURES

- 4000 watt (2 x 2000 Watt digital amplifiers)
- 2 x 18" high power neodymium woofers, 4.5" v. c.
- 96 KHz, 32 bit DSP processing
- Remote monitoring and control
- Time delay alignment
- Bass reflex design, Cardioid preset for groups
- Tour grade cabinet
- RDNet on board
- Maximum output per size on market

TECHNICAL SPECIFICATIONS

Acoustical specifications	Frequency Response:	35 Hz ÷ 120 Hz
	Max SPL @ 1m:	143 dB
Transducers	Woofers:	2 x 18" neo, 4.5" v.c
Input/Output section	Input signal:	bal/unbal
	Input connectors:	XLR, RDNet Ethercon
	Output connectors:	XLR, RDNet Ethercon
	Input sensitivity:	-2 dBu/+10 dBu
Processor section	Hi-Pass Frequencies:	30-45 Hz
	Low-Pass Frequencies:	60-90 Hz
	Protections:	Thermal, Excurs., RMS
	Limiter:	Soft Limiter
	Controls:	DSP Controlled
	RDNet:	Yes
Power section	Total Power:	8000 W Peak, 4000 W RMS
	Low frequencies:	8000 W Peak, 4000 W RMS
	Cooling:	Convection/Forced
	Connections:	Powercon IN/OUT
Standard compliance	Safety agency:	CE compliant
Physical specifications	Hardware:	4 wheels, Steel bars x fork-lift
	Handles:	6 side
	Color:	Black
Size	Height:	525 mm / 20.67 inches
	Width:	1170 mm / 46.06 inches
	Depth:	850 mm / 33.46 inches
	Weight:	100 kg / 220.46 lbs
Shipping information	Package Height:	1151 mm / 45.31 inches
	Package Width:	1194 mm / 47.01 inches
	Package Depth:	794 mm / 31.26 inches
	Package Weight:	154 kg / 339.51 lbs

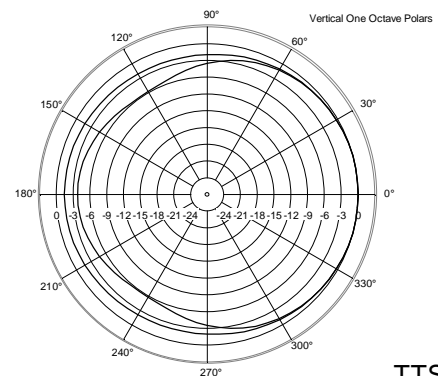
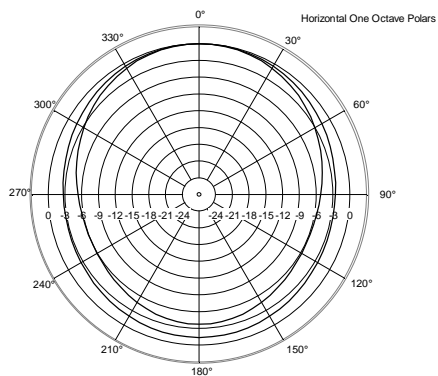
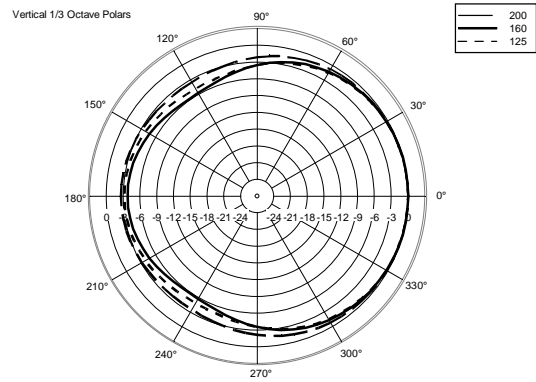
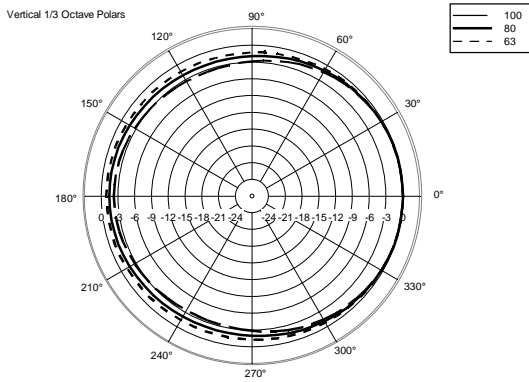
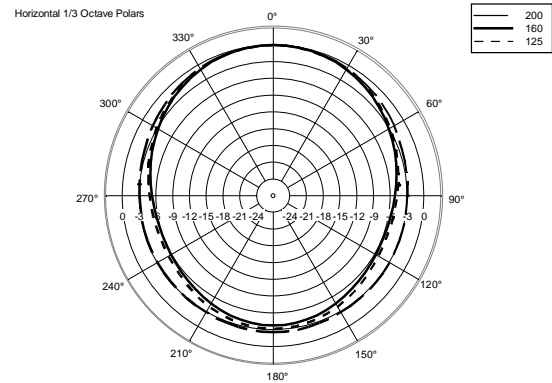
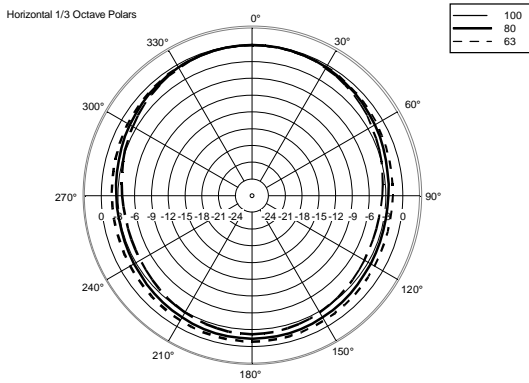
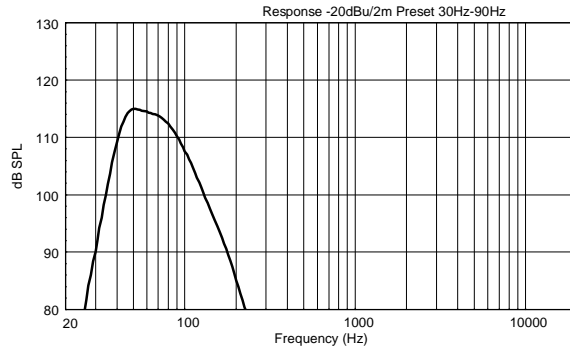
PART NUMBER

- 13000272**

TTS 36-A

90-240V

EAN 8024530009090



ACCESSORIES

AC POWER CABLE 6X TTL55

PART NUMBER
EAN:**13360138**

AC RAIN COVER TTS56-A

PART NUMBER
EAN:**13360137**

AC XLR-3M3F XLR CONN. 3MALE3FEMALEXCABLE

PART NUMBER
EAN:**13360102**

8024530006402



CABLES KIT CBL ETHERCON 0.7M

PART NUMBER
EAN:**12399016**

8024530013844



CABLES KIT CBL ETHERCON 3M

PART NUMBER
EAN:**12399035**

8024530013868



CABLES KIT CBL ETHERCON 5M

PART NUMBER
EAN:**12399018**

8024530013875



CABLES KIT CBL ETHERCON TO XLR F 0.2M

PART NUMBER
EAN:**12399019**

8024530013882



CABLES KIT CBL ETHERCON TO XLR M 0.2M

PART NUMBER
EAN:**12399020**

8024530013899



CABLES KIT CBL LK 25 MULTIPIN 10M

PART NUMBER
EAN:**12399023**

8024530013837



CABLES KIT CBL LK 25 MULTIPIN 20M

PART NUMBER **12399022**
EAN: 8024530013820



CABLES KIT CBL LKS 19 ARRAY FANOUT

PART NUMBER **12399024**
EAN: 8024530013905



CABLES KIT CBL LKS 19 BREAKOUT

PART NUMBER **12399026**
EAN: 8024530013929



CABLES KIT CBL LKS 19 POWER 10M

PART NUMBER **12399027**
EAN: 8024530013936



CABLES KIT CBL LKS 19 SUB FANOUT

PART NUMBER **12399025**
EAN: 8024530013912



CABLES KIT CBL LKS 25-2 FANOUT

PART NUMBER **12399021**
EAN: 8024530013813



CABLES KIT CBL POWER BOX 6X

PART NUMBER **13360145**
EAN: 8024530015534



CABLES KIT CBL POWERCON LINK 1.5M

PART NUMBER **12399030**
EAN: 8024530013721



CABLES KIT CBL POWERCON LINK 10M

PART NUMBER **12399028**
EAN: 8024530013707



CABLES KIT CBL POWERCON LINK 5M

PART NUMBER **12399029**
EAN: 8024530013714



LKS 19-20 POWER CABLE

PART NUMBER **13360146**
EAN: 8024530013943



PRO SWIVEL WHEELS KIT

PART NUMBER **13360238**
EAN: 8024530018320
